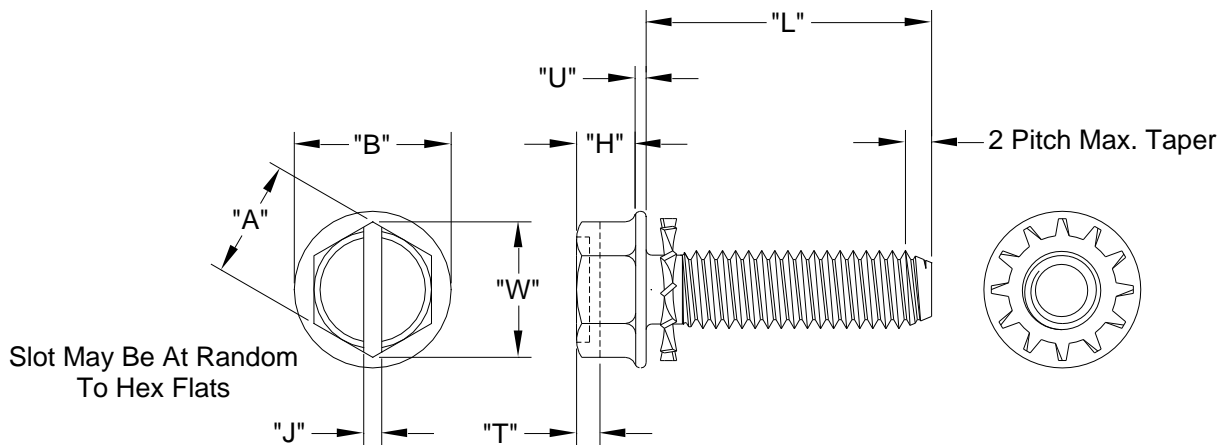


**SLOTTED INDENTED
HEX WASHER HEAD
MACHINE SCREW w/
EXTERNAL TOOTH
LOCKWASHER SEMS**

XXXXSHWEZ
APRIL, 2014
REV 00
PAGE 1 of 1

Nominal Screw Size	#0 Thru #12	1/4 Thru 3/4
Nominal Screw Length	Tolerance On Length	
Up To & Including 1/2"	-0.02	-0.03
Over 1/2 To 1", Inclusive	-0.03	-0.03
Over 1" to 2", Inclusive	-0.06	-0.06
Over 2"	-0.09	-0.09



Nominal Screw Size	Basic Screw Size	Major Diameter		"A"		"W"		"H"		"B"		"U"		"J"		"T"		Washer Diameter		Washer Thickness	
		Max.	Min.	Max.	Min.	Max.	Min.	Max.	Min.	Max.	Min.	Max.	Min.	Max.	Min.	Max.	Min.	Max.	Min.	Max.	Min.
#10 - 32	0.190	0.1900	0.1831	0.312	0.305	0.340	0.120	0.105	0.414	0.384	0.031	0.019	0.060	0.050	0.080	0.057	0.406	0.395	0.024	0.018	
1/4 - 20	0.250	0.2500	0.2408	0.375	0.367	0.409	0.190	0.172	0.520	0.480	0.050	0.030	0.075	0.064	0.111	0.083	0.580	0.567	0.028	0.023	

Standard: ASME B18.13
 Material: Screw: Carbon Steel, 60,000 psi Minimum Tensile Stress
 Washer: Rc40-50
 Finish: Commercial Zinc, Bake & ROHS Compliant Clear Chromate
 Per ASTM F1941 Code Fe/Zn 3A

Common Uses:
 Used in applications where loosening is a concern. These washers are designed to increase frictional resistance underneath the head & the mating surface. Used where marring of mating surfaces is not a concern.